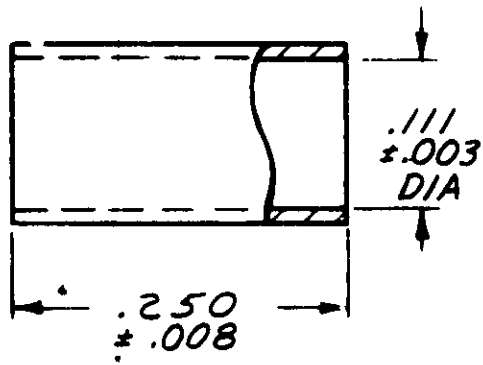


1-332056-0

RELEASED FOR PUBLICATION APRIL 9 1965

COPYRIGHT 1965 BY AMP INCORPORATED, HARRISBURG, PA. ALL INTERNATIONAL RIGHTS RESERVED. AMP PRODUCTS MAY BE COVERED BY U.S. AND FOREIGN PATENTS AND/OR PATENTS PENDING.

REVISIONS					
P	F	LTR	DESCRIPTION	DATE	APPROVED
	✓	F	REDRAWN	1-4-84	MS/DH



- ① COPPER PER ASTM-B-152.
- ② TIN PL PER MIL-T-10727

UNLESS OTHERWISE SPECIFIED DIMENSIONS ARE IN INCHES. TOLERANCES ON: DECIMALS ± .005 FRACTIONS ± .001

MATERIAL
①

FINISH
②

CONTRACT NO
DR *M. Enard* 4-4-84
CHKD *S. Heide* 4/6/84
APP'D *Steve Frank* 4/6/84
APP'D *M. Enard* 4/6/84

DSGN APPD
OTHER APPD

AMP | AMP INCORPORATED
Harrisburg, Pa. 17105
NAME
FERRULE

SIZE **A** FSCM NO **00779** DRAWING NO **1-332056-0**
SCALE **NTS** SHEET